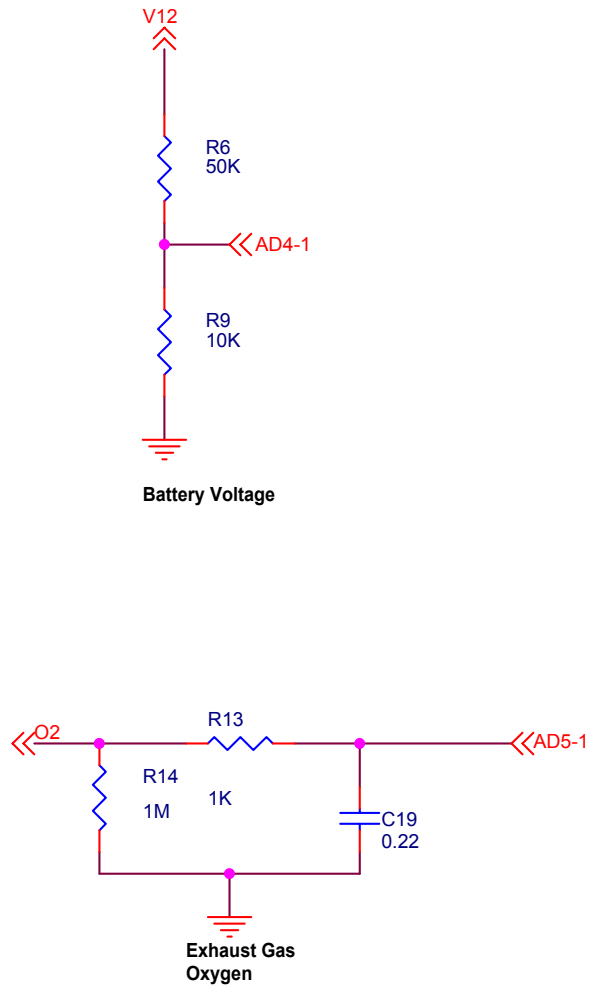
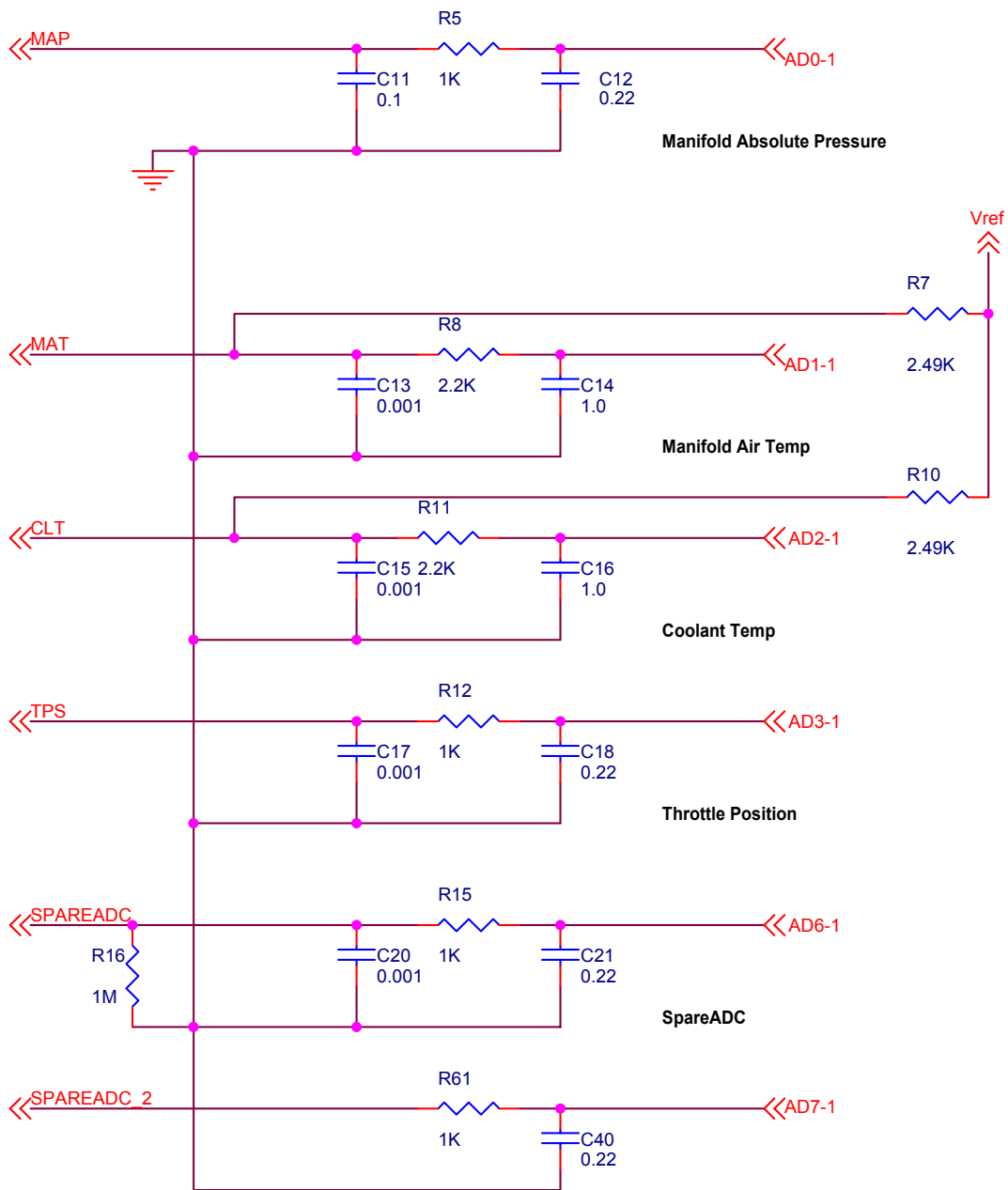
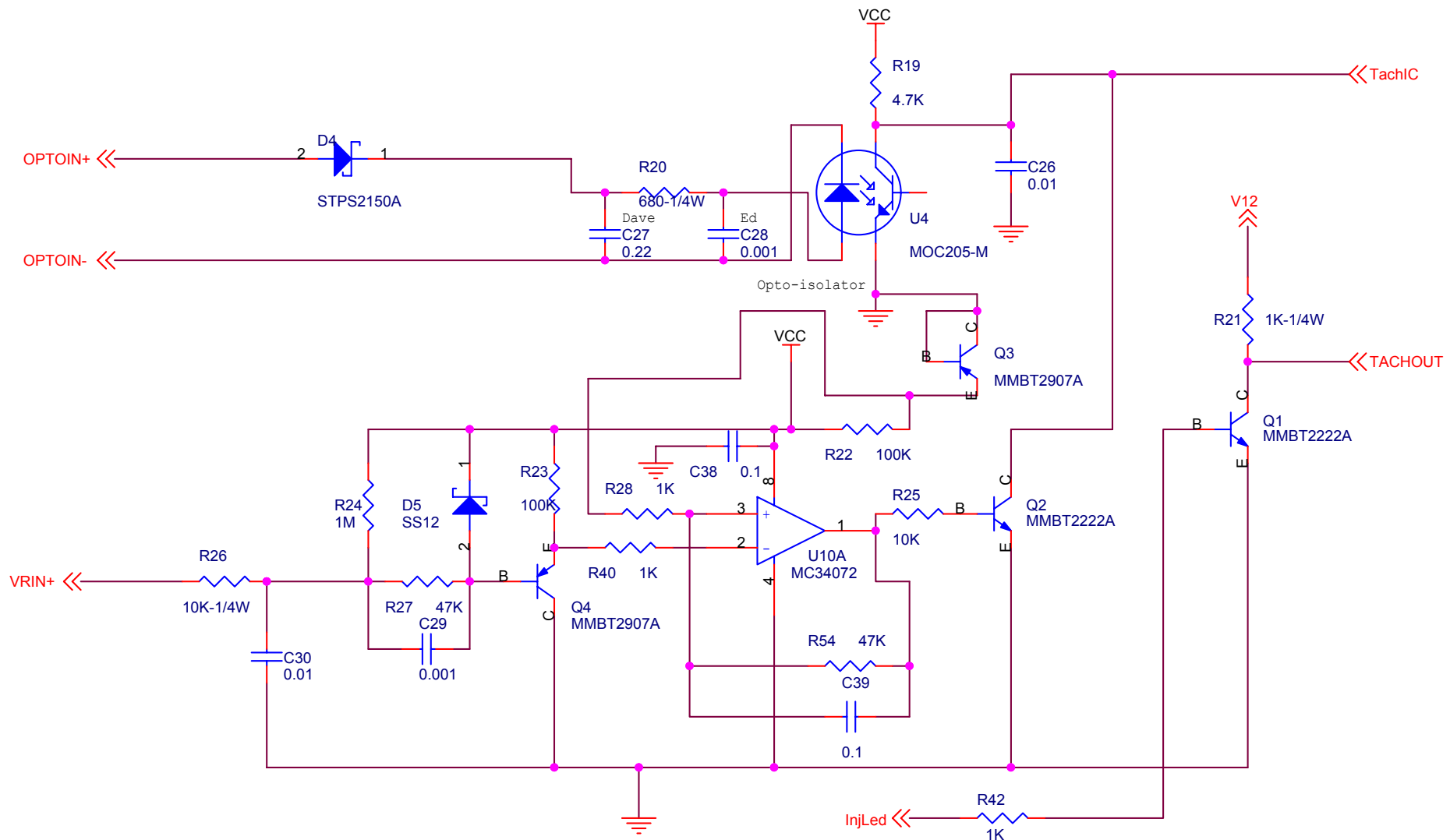


Title		
MicroSquirtModule - CPU - B. A. Bowling & A. C. Grippo		
Size	Document Number	Rev
A	Rev 2.0	1.0
Date:	Thursday, April 02, 2009	Sheet 1 of 10



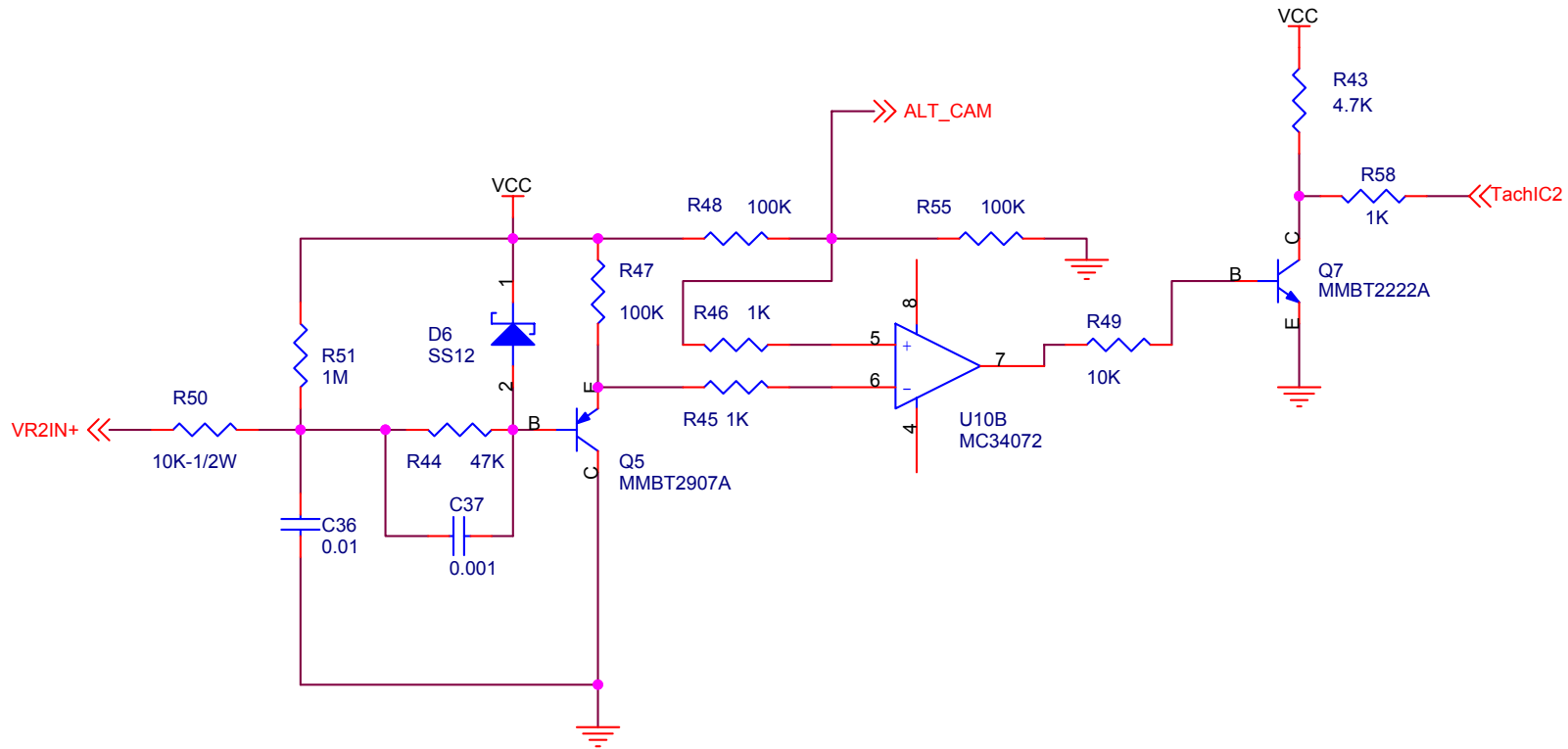
Title		
MicroSquirtModule - Inputs - B. A. Bowling & A. C. Grippo		
Size	Document Number	Rev
A	Rev 2.0	1.0
Date:	Thursday, April 02, 2009	Sheet 2 of 10



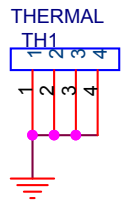
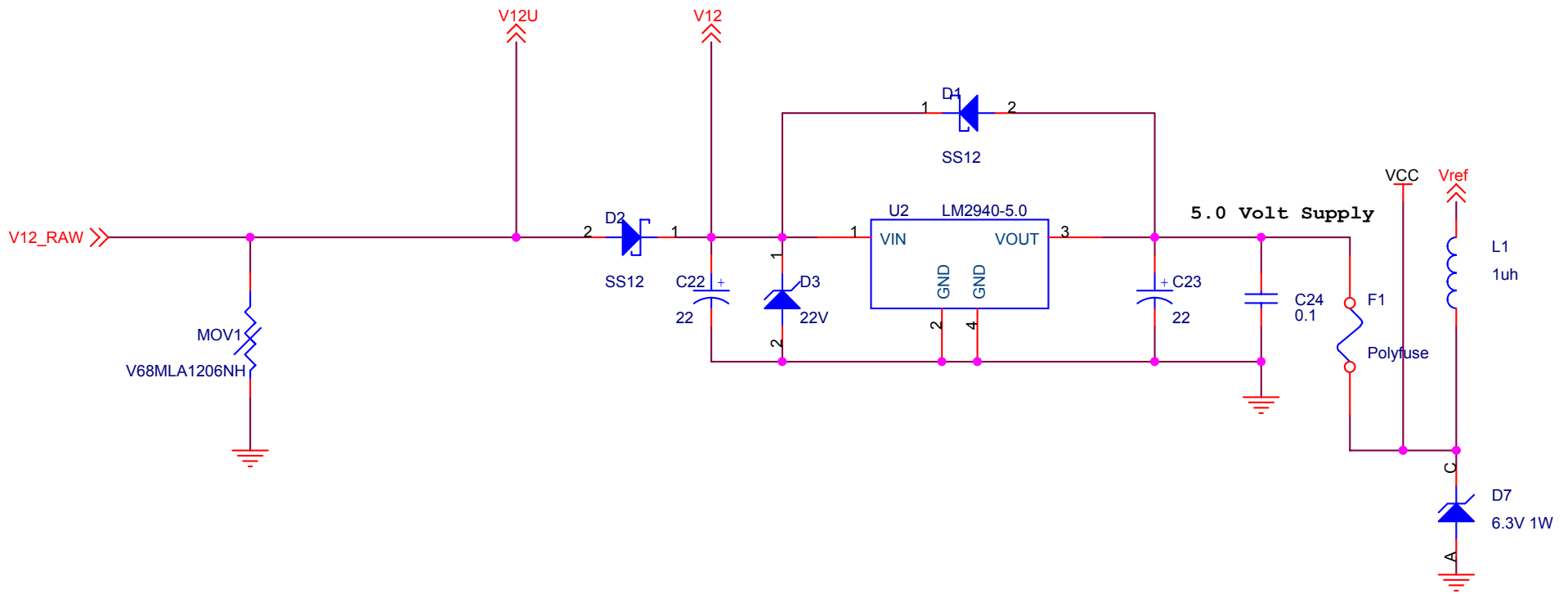
Note: Q3 acts like a simple diode, configuration to match Q4 Vbe drop.

Title		
MicroSquirtModule - Tach Inputs - B. A. Bowling & A. C. Grippo		
Size	Document Number	Rev
A	Rev 2.0	1.0
Date:	Thursday, April 02, 2009	Sheet 3 of 10

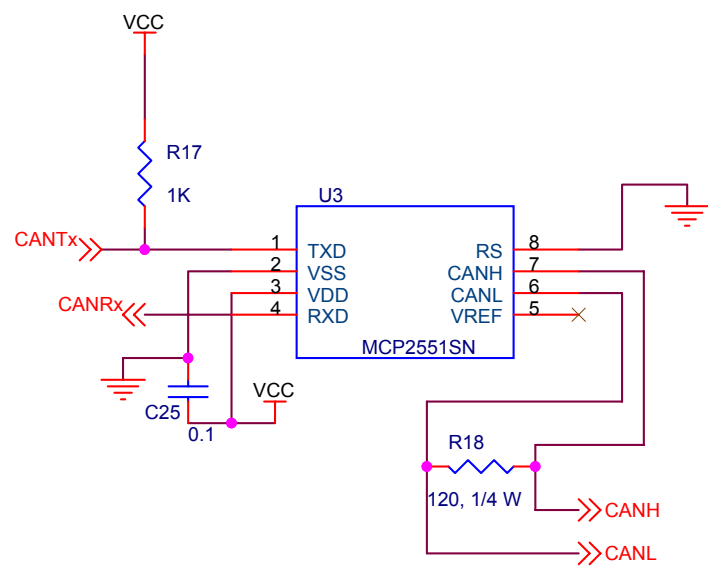
Note: Threshold trip point = $((5V * R55)/(R48+R55))-0.7V = 1.8V$



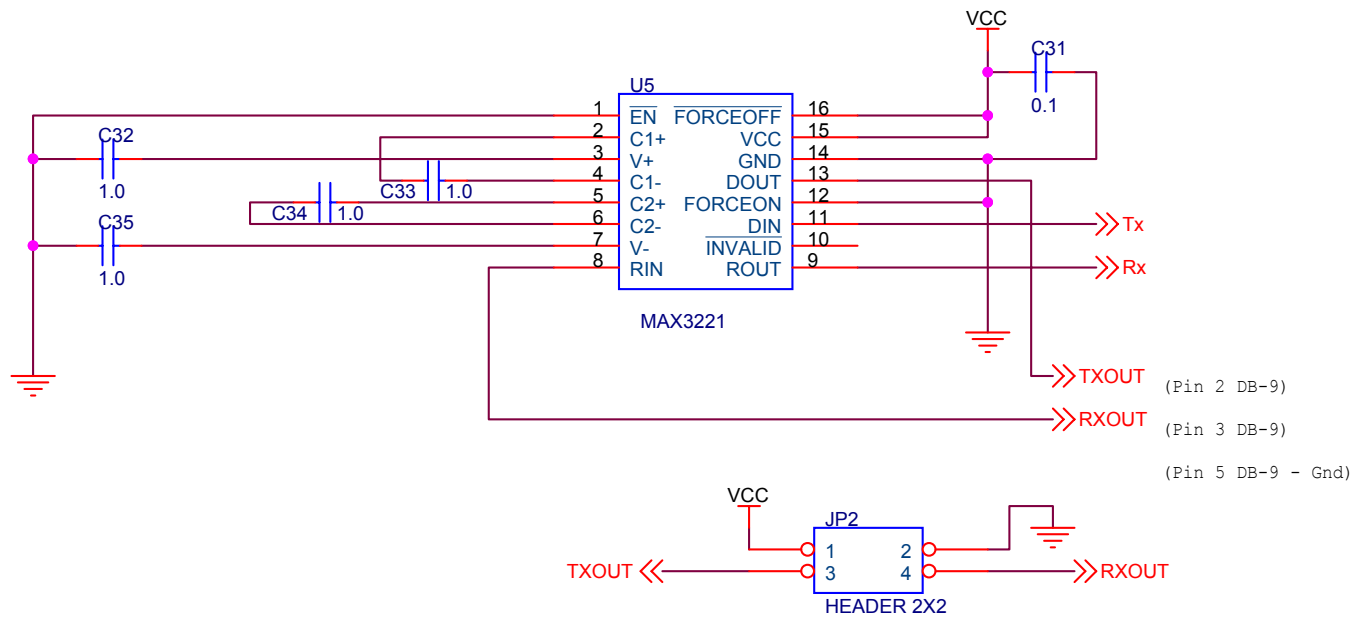
Title		
MicroSquirtModule - Tach2 - B.A. Bowling & A.C. Grippo		
Size	Document Number	Rev
A	Rev 2.0	1.0
Date:	Thursday, April 02, 2009	Sheet 4 of 10



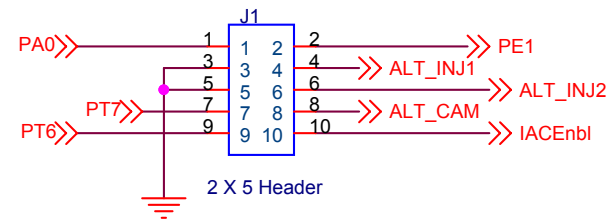
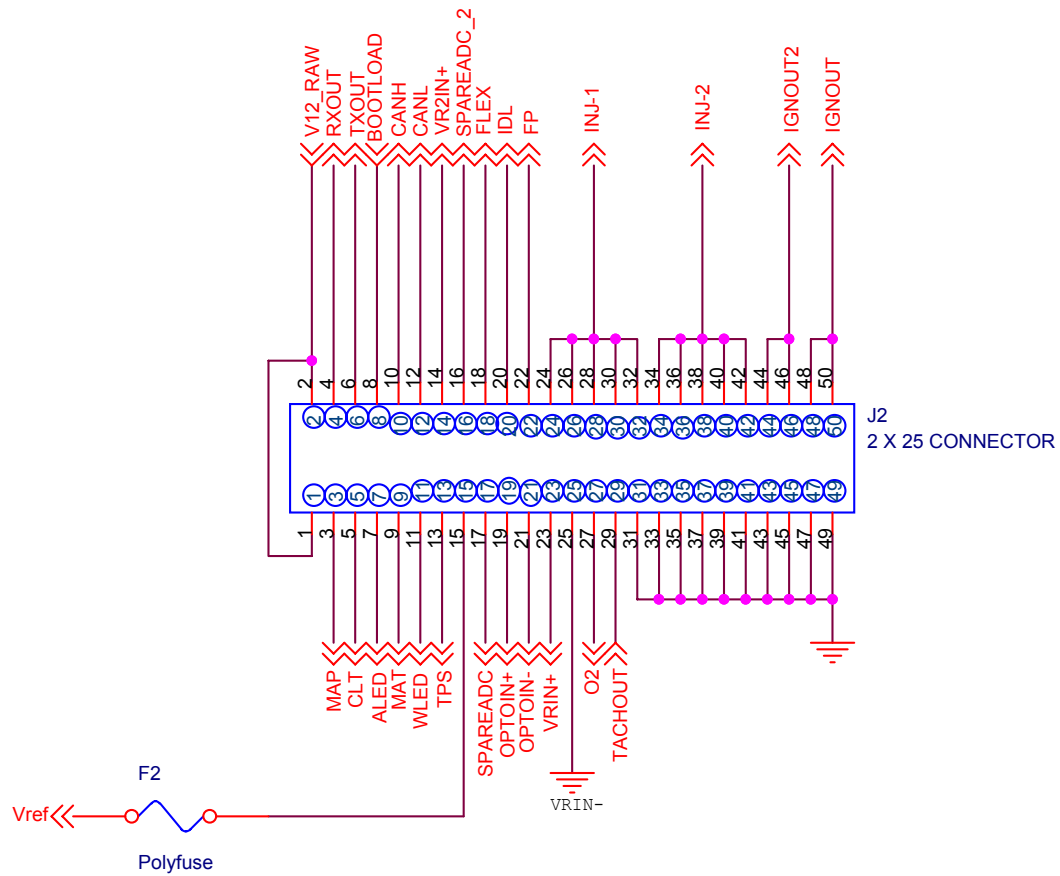
Title		
MicroSquirtModule - Pwr - B. A. Bowling & A. C. Grippo		
Size	Document Number	Rev
A	Rev 2.0	1.0
Date:	Thursday, April 02, 2009	Sheet 5 of 10



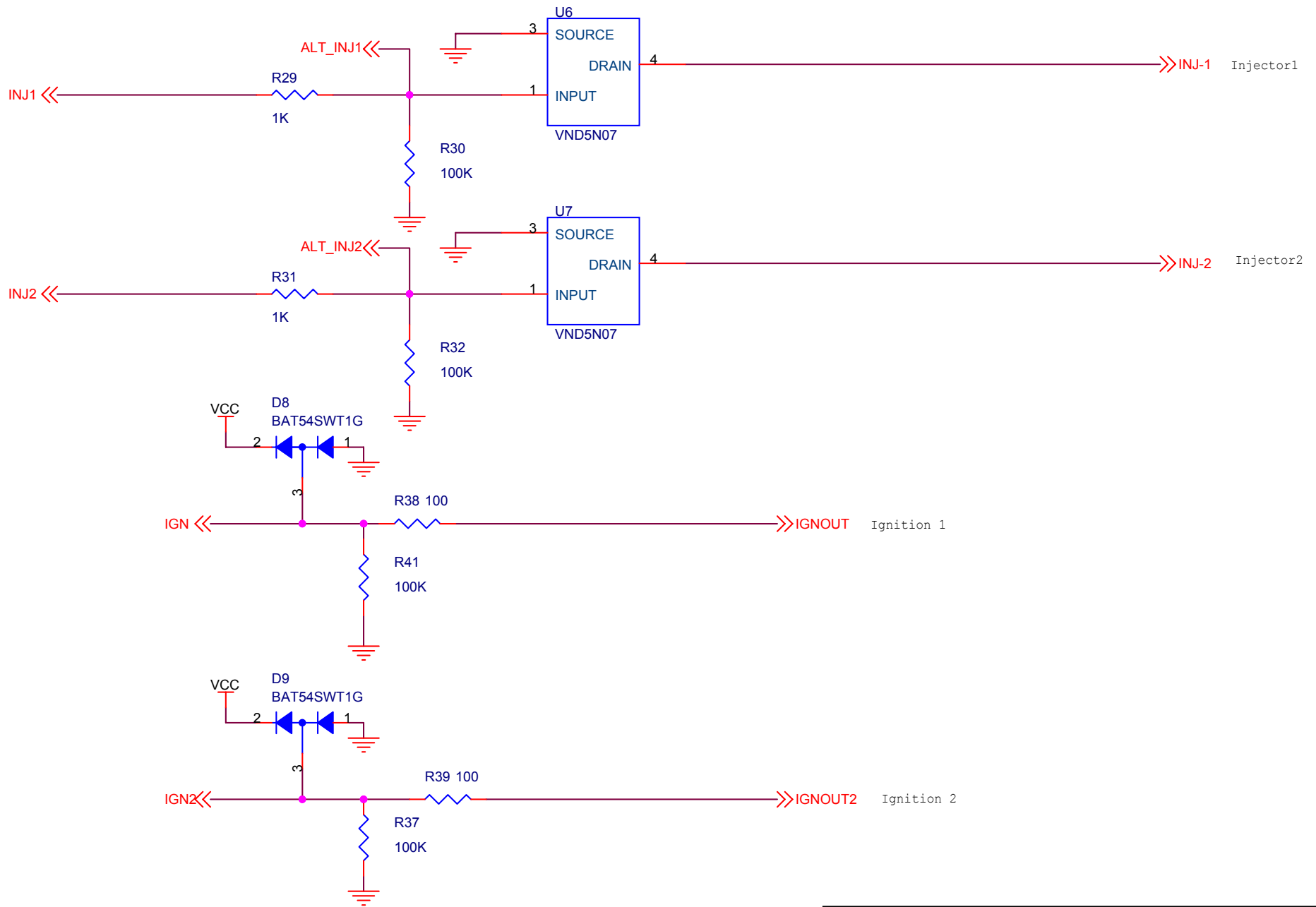
Title		
MicroSquirtModule - CAN - B. A. Bowling & A. C. Grippo		
Size	Document Number	Rev
A	Rev 2.0	1.0
Date:	Thursday, April 02, 2009	Sheet 6 of 10



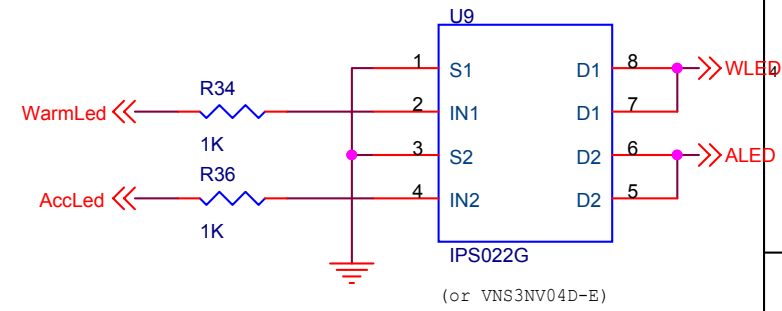
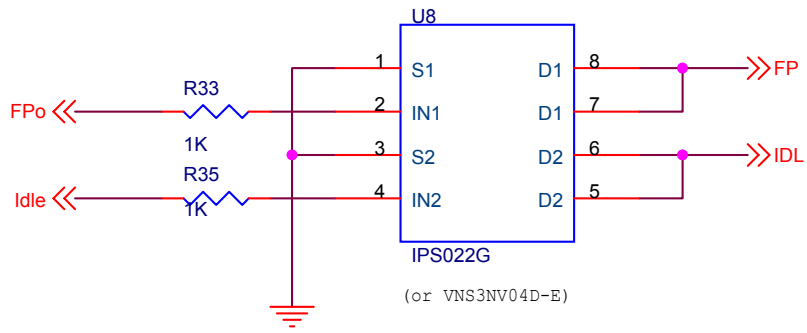
Title		
MicroSquirtModule - Serial - B. A. Bowling & A. C. Grippo		
Size	Document Number	Rev
A	Rev 2.0	1.0
Date:	Thursday, April 02, 2009	Sheet 7 of 10



Title		
MicroSquirtModule - Connector - B. A. Bowling & A. C. Grippo		
Size	Document Number	Rev
A	Rev 2.0	1.0
Date:	Thursday, April 02, 2009	Sheet 8 of 10



Title		
MicroSquirtModule - InjIgn - B. A. Bowling & A. C. Grippo		
Size	Document Number	Rev
A	Rev 2.0	1.0
Date:	Thursday, April 02, 2009	Sheet 9 of 10



Title		
MicroSquirtModule - Outputs - B. A. Bowling & A. C. Grippo		
Size	Document Number	Rev
A	Rev 2.0	1.0
Date:	Thursday, April 02, 2009	Sheet 10 of 10